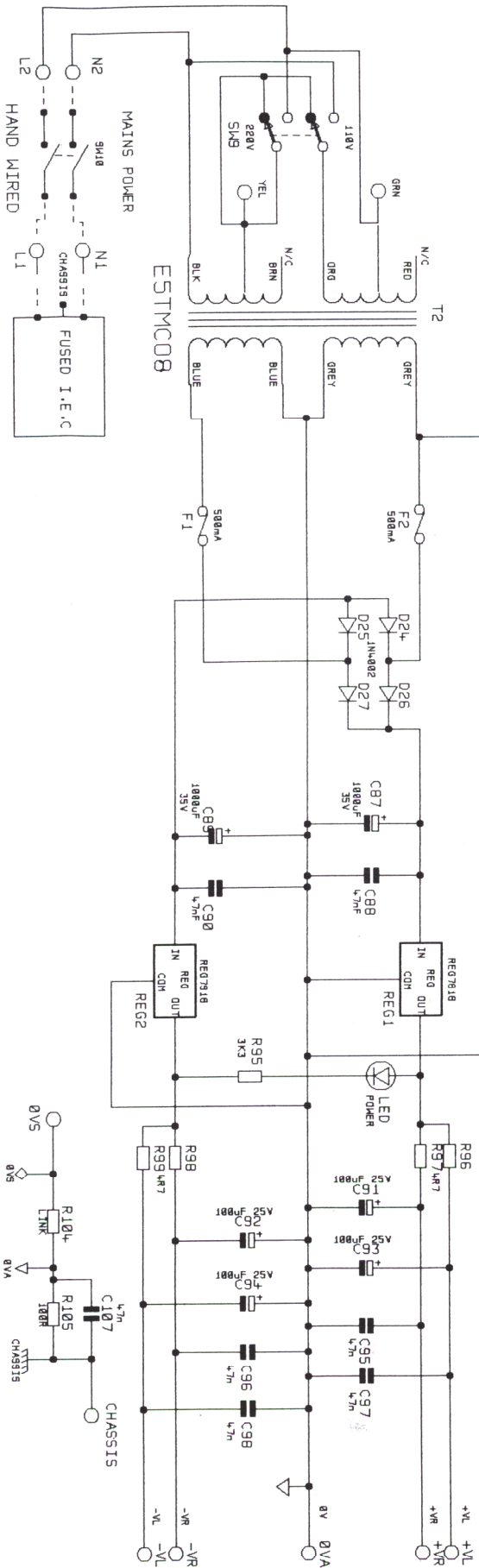
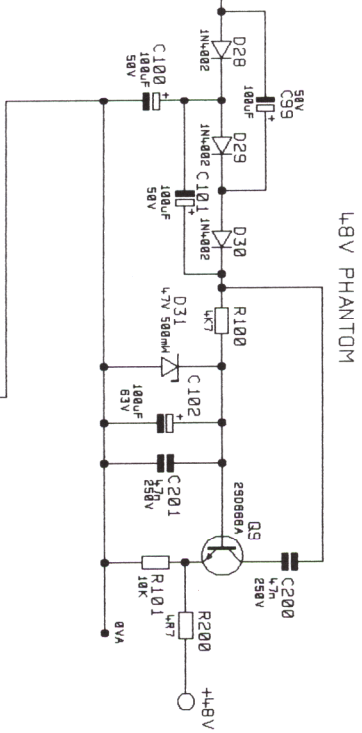


TO PAGE 2  
TO AUTOMUTE STAGE



# MIDAS AUDIO

PSU & PHANTOM

4 OF 5

UNIT XL42

Drawn : T.K.G

Checked : C.R

BOARD No. B2792 IS1

DWG No. XL42\_4.DGM

ISSUE : 1

DATE : 13.4.95